

### KEY FEATURES

- Full range loudspeaker
- Built-in 100V transformer
- 2 individual power settings in 70/100V mode
- 90° dispersion angle
- White metal back cover
- Easy to install
- Designed for public address ceiling applications

### TECHNICAL SPECIFICATIONS

Type	Full range loudspeaker
Nominal diameter	165 mm. 6.5 in.
Rated impedance	8 ohms.
Power capacity	3 / 6 w (70-100 v)
Sensitivity	90 dB, 1 w @ 1 m
Frequency range	60-20000 Hz
Dispersion angle	90°
Transformer line	70-100 v

### MOUNTING INFORMATION

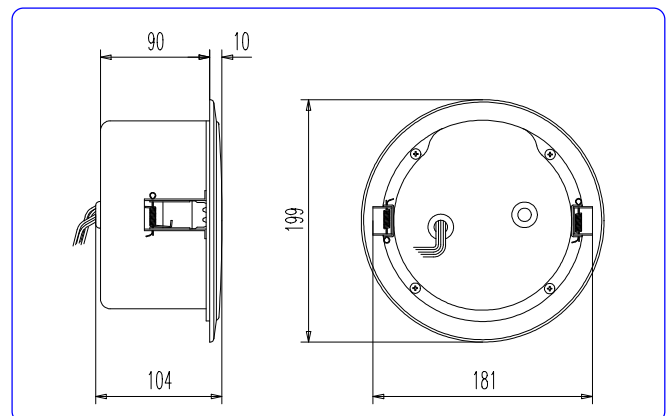
Overall diameter	199 mm. 7.84 in.
Mounting diameter	181 mm. 7.12 in.
Depth	104 mm. 4.09 in.
Net weight	1 kg. 2.2 lb.

### MATERIALS

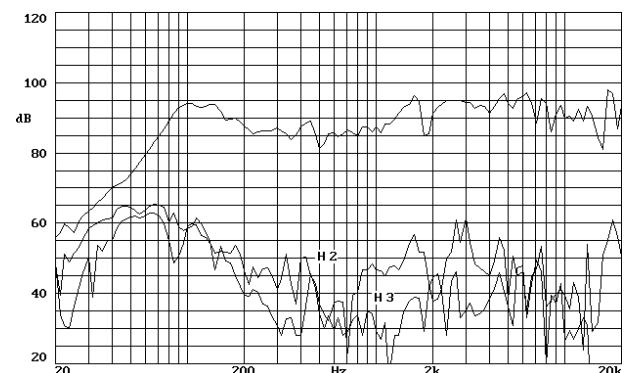
- **Diaphragm:** paper.
- **Grid:** metal.
- **Back cover:** metal



### DIMENSION DRAWINGS



### FREQUENCY RESPONSE AND DISTORTION CURVES



Note: on axis frequency response measured with loudspeaker standing on infinite baffle in anechoic chamber, 1w @ 1m.